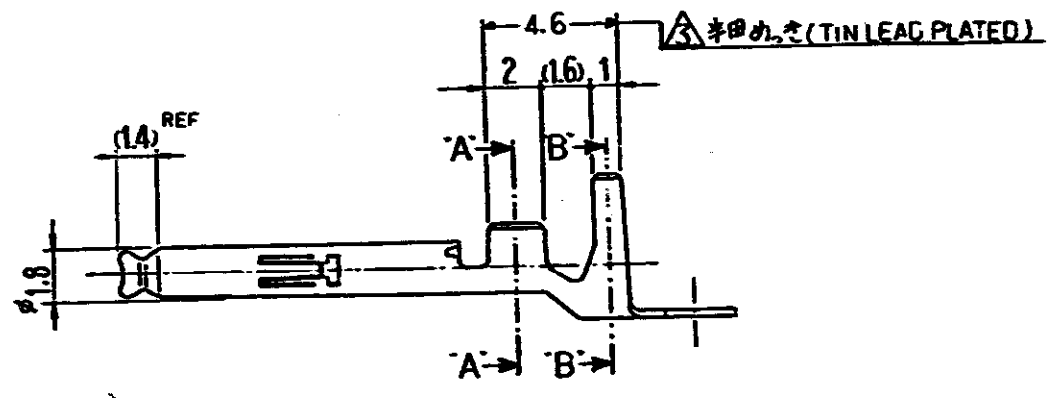
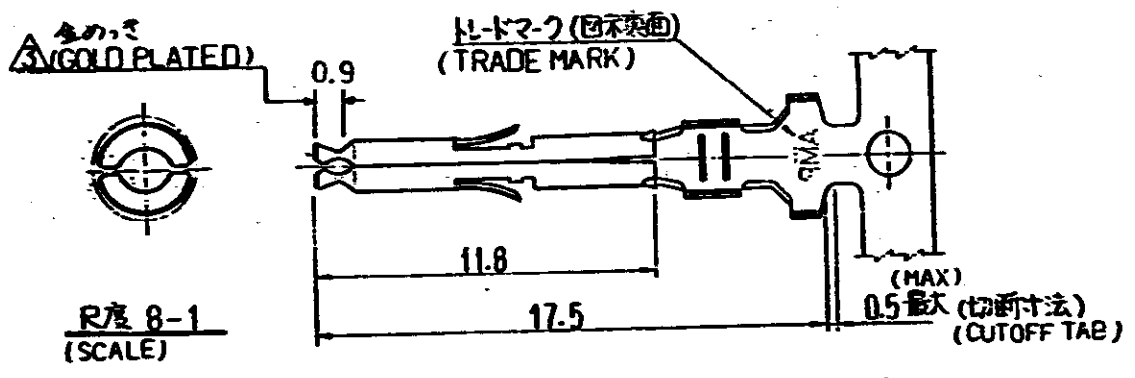


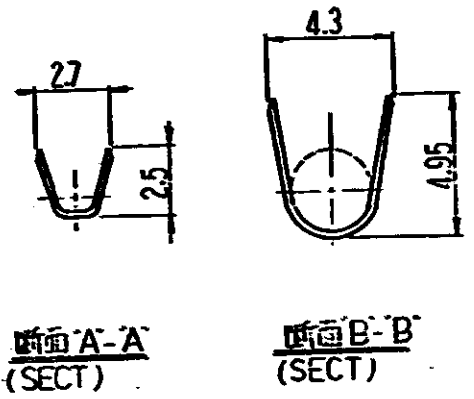
C-171637

△ GOLD PLATED 0.76μm^{MIN} ON CONTACT AREA, TIN LEAD PLATED ON BARREL AREA OVER NICKEL PLATED.



注: 1. 通用規格
 製品規格 108-5151, 108-5138.
 取付通用規格 114-5050
 取扱説明書 IS-105J

- △ 2本着通用電線
 AWG#20 (VSF被覆外形φ2.4) × 2
- △ ニッケルめっき下地に、金めっき(0.76μm最少膜厚部)及びバレル部 亜鉛めっき



NOTES: 1. PRODUCT SPECIFICATION 108-5151, 108-5153
 APPLICATION SPECIFICATION 114-5050
 INSTRUCTION SHEET IS-105J

△ APPLICABLE WIRE FOR TWO-WIRE CRIMP
 AWG #20 (VSF INSULATION DIAMETER φ2.4) × 2

171637-3	△ 黄銅金めっき (膜厚0.25) GOLD PLATED BRASS (0.25μ)	171637-3
171639-1	△ 銅めっき黄銅 (膜厚0.25) PRE TINNED BRASS (0.25μ)	171637-1
パラ端子 (LOOSE PIECE) (FINISH MATERIAL)		型番 (P/N)
<small>DESIGNED BY AMP Japan, Ltd. ALL RIGHTS RESERVED AMP PRODUCTS COVERED BY PATENTS AND/OR PATENTS PENDING</small>		参考図面 (CUSTOMER COPY REFERENCE ONLY)
材料 (MATERIAL) 表参照 (SEE TABLE) 表面処理 (FINISH)		日本アイ・エム・ピー株式会社 TOKYO, JAPAN
線径 (WIRE RANGE) △ 0.5-1.3 mm AWG20-16 絶縁被覆径 (INSULATION DIA.) 2.0-3.2 2A-2		22 CLASS 型式 (TYPE)
公差 (TOLERANCE) ±0.3 公差 (TOLERANCE) (AS NOTED) ±0.0		寸法 (DIM) 4-1 位置 (LOC) JA 数量 (QTY) C-171637 検査 (CHK) C
名称 (NAME): SOCKET CONTACT (MINI UNIVERSAL M-N-L) ソケットコンタクト (ミニユニバーサルメテロク錠錠用型コネクタ)		

C	REVISED	FJ# 0221-93	2/4	1/2 '93	
B1	REVISED	J-9211	Y.A	7/3 '88	
B	REVISED	J84-7691	Y.I	10/1 '81	
A	REVISED	J82-7274	N. Oshino	1/4 '82	
O	RELEASED	J53-5735	N. Oshino	3/4 '82	
LTR	変更 REVISION RECORD:		DR	CHK	DATE
DR	J. Oshino		DE	N. Oshino	
CHK	3/4 '83		APP	A. Tanaka	

単位: % DIMENSIONS IN MM. DO NOT SCALE PRINT